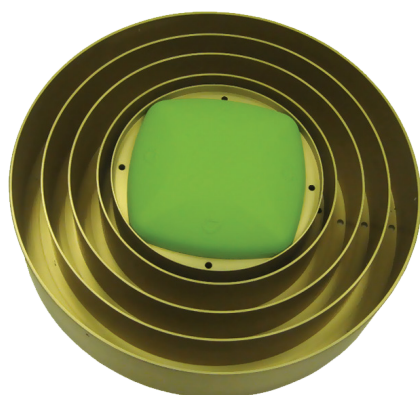




GNSS ANTENNA

RingAnt-G5T



RingAnt-G5T is our GrAnt antenna mounted on our own choke ring. This makes our GrAnt antenna field upgradeable to choke ring type.

The antenna cable can be connected via the standard TNC (N-type optional) connector on its side.

RingAnt-G5T can track GPS, GLONASS, Galileo, BeiDou, WAAS, EGNOS, MSAS, GAGAN and QZSS signals.

SIGNAL

Capability	GPS L1/L2/L5 GLONASS L1/L2/L3 GALILEO E1/E2/E5ab/E6 BEIDOU B1/B2/B3 WAAS L1/L5, EGNOS, MSAS, GAGAN QZSS L1/L2/L5/LEX
Frequency	1555~1610 MHz 1164~1300 MHz

ELECTRICAL

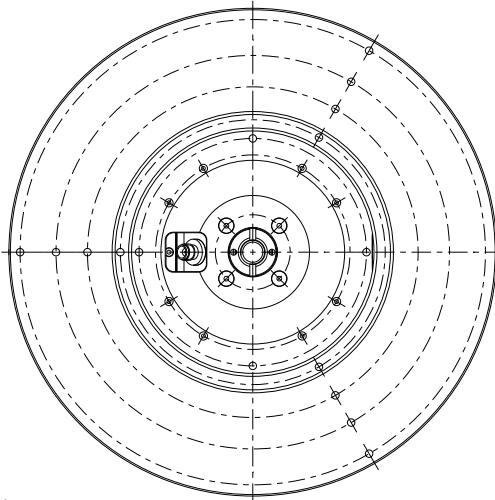
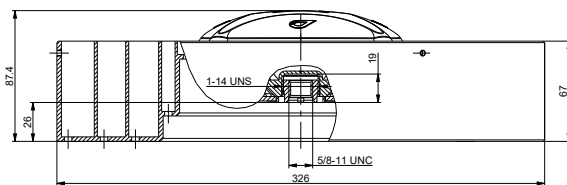
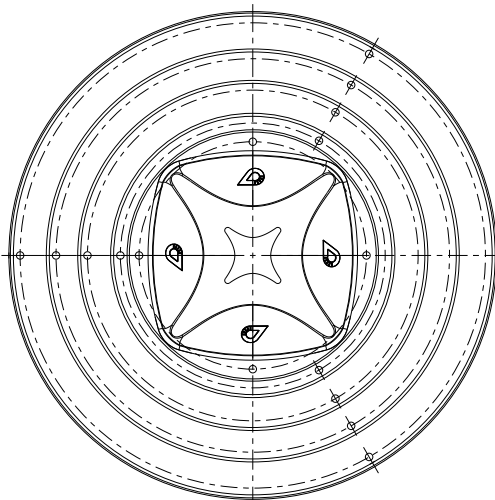
Antenna Gain	1555~1610MHz – 6.0 dB typ. 1164~1300 MHz – 5.0 dB typ.
Axial Ratio	3.0 dB max.
Output Impedance	50 Ohm
LNA gain	32±2 dB 40±2 dB (optional)
Noise Figure	1555~1610MHz – 1.7 dB typ. 1164~1300 MHz – 1.7 dB typ.
DC voltage	3.0~15.0VDC 45mA@5.0V typ.

ENVIRONMENTAL

Operating Temperature	-45°C ~ +85°C
Storage Temperature	-50°C ~ +85°C
Humidity	Waterproof, IP 68
Shock	Survives a 0.5 m drop onto a hard surface

MECHANICAL

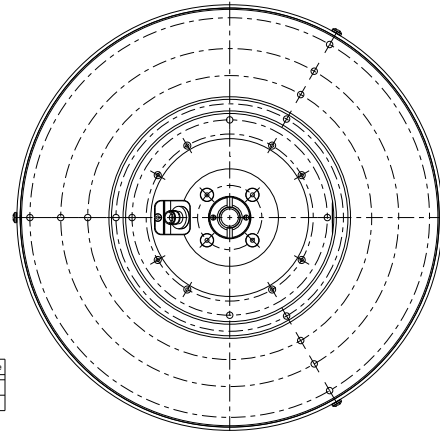
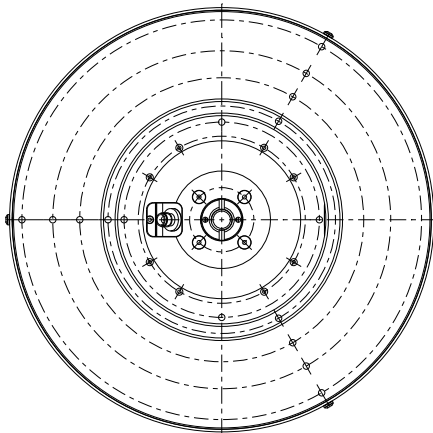
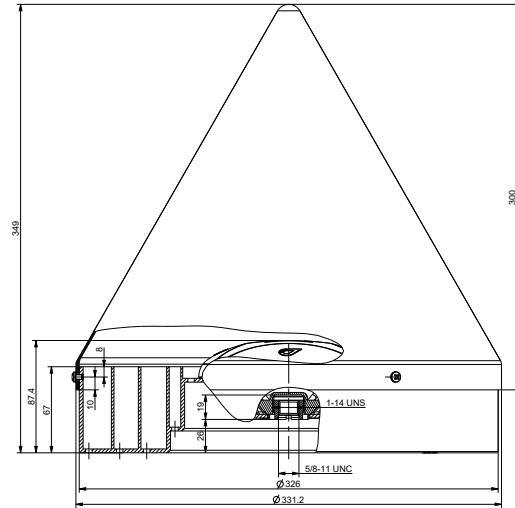
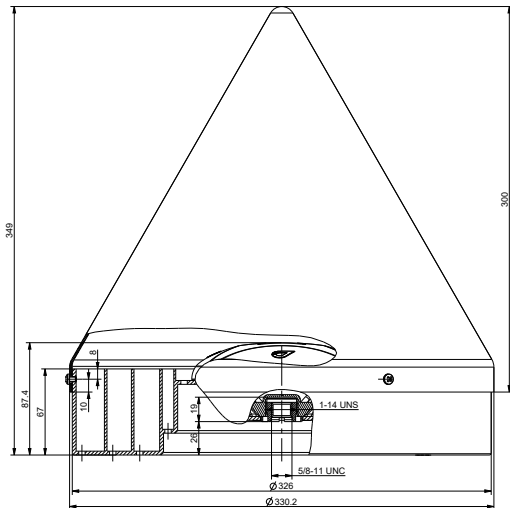
Antenna type	Microstrip
Connector	TNC; N-type (optional) The tightening torque for the coaxial connector nuts that secure the RF cable to the TNC type of RF connector must be 4.1 - 6.1 in-lbs (0.46 - 0.69 NM)
Weight	2.7 kg
Dimensions	Ø326 mm; h=88 mm
Enclosure	Radome: ABS; Base: Aluminum
Mounting	5/8-11 inches mount



Antenna Code	Radome Code
JAV/RINGANT_GST	NONE
JAV_RINGANT_GST	NONE

1. Dimensions are in millimeters.
2. Third angle projection.
3. All dimensions for reference only.
4. Approximate assembly weight is 2.709 kg.

RingAnt-G5T



Antenna Code	Radome Code
JAVRINGANT_G5T	JAVD
JAV_RINGANT_G5T	JAVD

Dimensions are in millimeters.
 Third angle projection.
 All dimensions for reference only.
 Snow Cone: 04-570800-11, RingAnt-G5T Snow Cone.
 Material: plastic. Color: glossy white.
 Approximate assembly weight is 3.138 kg.

Antenna Code	Radome Code
JAVRINGANT_G5T	JAVC
JAV_RINGANT_G5T	JAVC

1. Dimensions are in millimeters.
 2. Third angle projection.
 3. All dimensions for reference only.
 4. Snow cone: 04-570800-01, RingAnt-G5T Snow Cone.
 Material: fiberglass plastic. Paint color - glossy white.
 5. Approximate assembly weight is 3.135 kg.



900 Rock Avenue
 San Jose
 CA 95131, USA

+1(408)770-1770
 sales@javad.com
 www.javad.com

Illustrations, descriptions and technical specifications are not binding and may change.
 Version 1.5 from May 6, 2020